



CONCEAL CONCRETE WATERPROOFING PTY. LTD.

P.O BOX 239, CAMPBELLTOWN, N.S.W. 2560

Phone: (02) 9824 6911

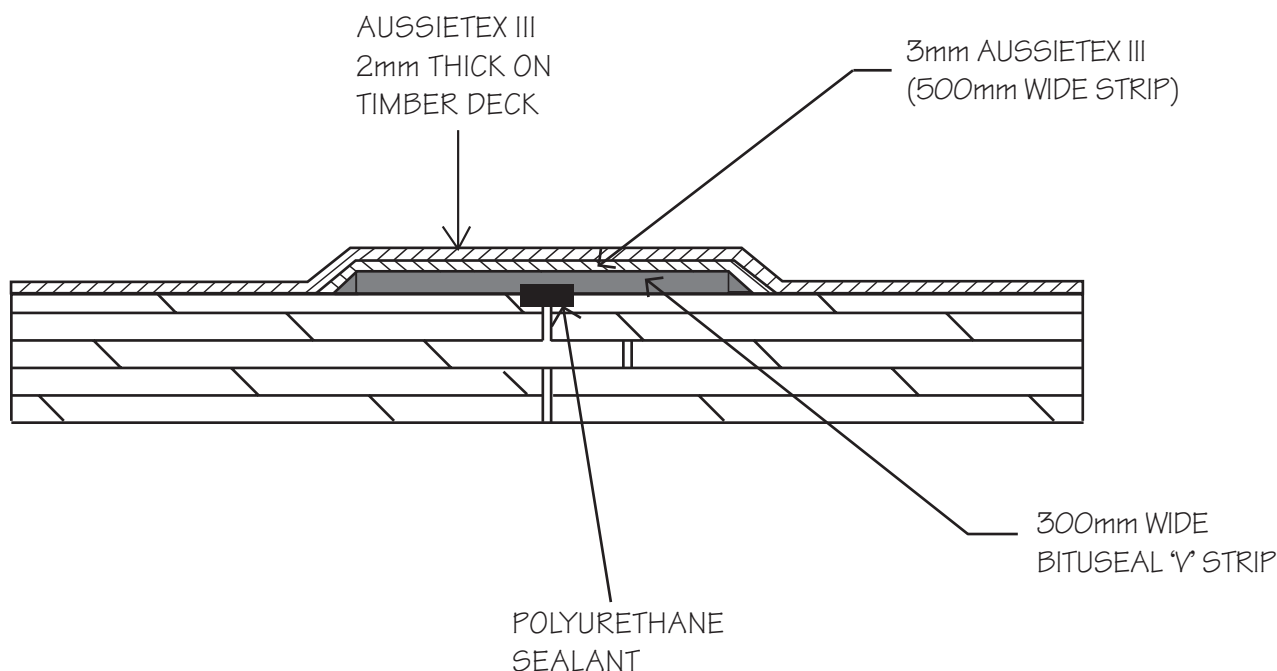
Fax: (02) 9824 5527

Email: info@conceal.com.au

Website: www.conceal.com.au

AUSSIETEX III SPRAY APPLIED MEMBRANE SYSTEM GENERAL DETAIL - Timber Decking

FLOOR TO FLOOR DETAIL



BUILDER:	DATE:	DWG NO:
PROJECT:	APPROVED:	CHECK:

Exclusive Distributors of Aussietex Membranes

- Advisory Service • Protective Coatings • Concrete Sealing • Joint Sealing • Concrete Curing • Flat Roof Membranes • Anti Graffiti Coating
- Remedial Repairs • Sand Stone Repairs • Spalling Repairs • Sheet Membranes & Liquid • Facade Repairs • Crack Injections

All our staff are C.F.M.E.U. Members and are in the C+BUS, ACIRT and Long Services, and all are supplied with required safety equipment and clothing.

Unit 1/ 14 Pembury Rd, Minto NSW 2566 A.B.N 71 056 314 508 A.C.N. 056 314 508